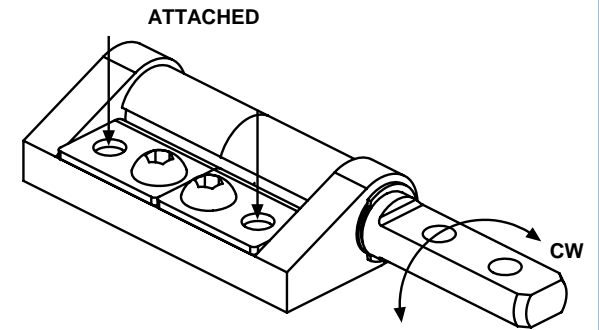
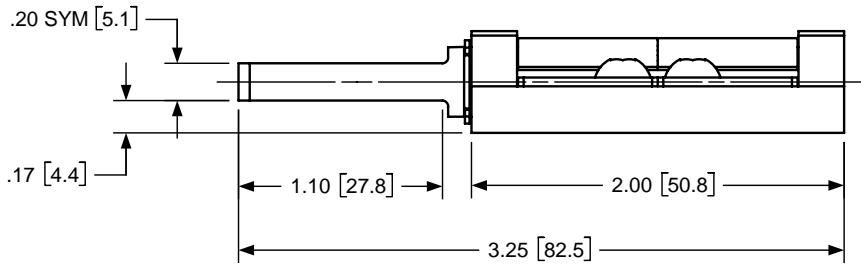


3000-0401-HNG L



3000-0401-HNG R

TORQUE SPECIFICATIONS

PART NUMBER	CW	CCW
3000-0401-HNG L		
3000-0401-HNG R		

HANAYA		TITLE			
<small>ALL INFORMATION ON THIS PRINT ARE PROPRIETARY TO HANAYA, AND SHALL NOT BE USED IN WHOLE OR IN PART WITHOUT HANAYA'S CONSENT.</small>		ENGLISH [METRIC]		MATERIAL	
		TOLERANCES		ZINC HOUSING STEEL BAND & SHAFT	
SUITABLE MOUNTING SCREWS		METRIC	ENGLISH	SIZE	DWG NO.
FRACTIONAL	8-32 UNC	.X ±.3 MM .XX ±.13 MM .XXX ±.005 MM	.XX ±.015 IN .XXX ±.005 IN .XXXX ±.0002 IN	B	3000-0401-HNG L & R
METRIC	M4 X 0.7	ANGLE ± 1°			