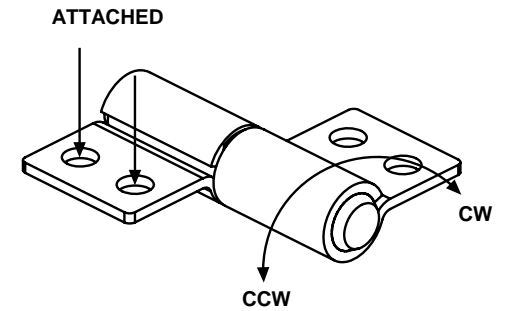


2000-0001-HNG L



2000-0001-HNG R

**TORQUE SPECIFICATIONS**

PART NUMBER	CW	CCW
2000-0001-HNG L		
2000-0001-HNG R		

HANAYA		INTERFACE DRAWING		
ALL INFORMATION ON THIS PRINT ARE PROPRIETARY TO HANAYA, AND SHALL NOT BE USED IN WHOLE OR IN PART WITHOUT HANAYA'S CONSENT.		ENGLISH [METRIC]		MATERIAL
		TOLERANCES		STEEL BAND & SHAFT
SUITABLE MOUNTING SCREWS		METRIC	ENGLISH	SIZE
FRACTIONAL	6-32 UNC	.X ±.3 MM	.XX ±.015 IN	DWG NO.
METRIC	M3.5 X 0.6	.XX ±.13 MM	.XXX ±.005 IN	
		.XXX ±.005 MM	.XXXX ±.0002 IN	2000-0001-HNG L & R
		ANGLE ± 1°		