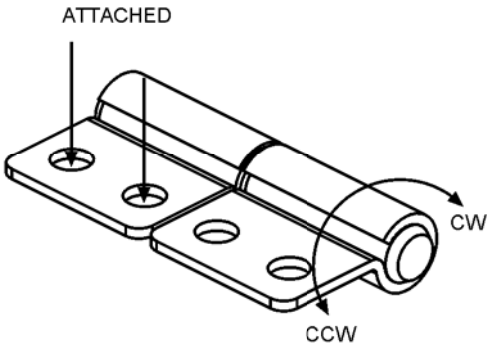
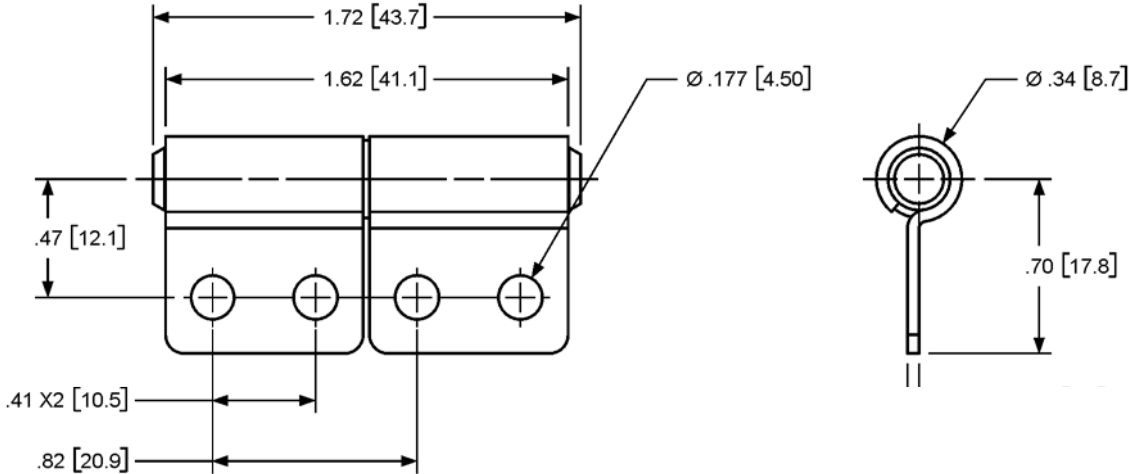


REVISION RECORD			
REV	DESCRIPTION	DATE	APPD



- NOTES:**
- HINGE TORQUE: BALANCED.
  - CW TORQUE = CCW TORQUE = 11.0 IN.LB ± 15% [127 ± 15% KG.MM].

<b>HANAYA</b>		TITLE <b>HINGE INTERFACE</b>			
ALL INFORMATION ON THIS PRINT ARE PROPRIETARY TO HANAYA, AND SHALL NOT BE USED IN WHOLE OR IN PART WITHOUT HANAYA'S CONSENT.		ENGLISH / METRIC		MATERIAL	
		TOLERANCES		<b>STEEL BAND &amp; SHAFT</b>	
		METRIC	ENGLISH	SIZE	DWG NO.
		.X ± .3 MM	.XX ± .015 IN	<b>B</b>	<b>0018-0030-HNG BLACK</b>
		.XX ± .13 MM	.XXX ± .005 IN		
		.XXX ± .005 MM	.XXXX ± .0002 IN		
USED ON	REV	ANGLE ± 1°		DRAWN BY	DATE
				SCALE <b>2:1</b>	SHEET <b>1</b> OF <b>1</b>